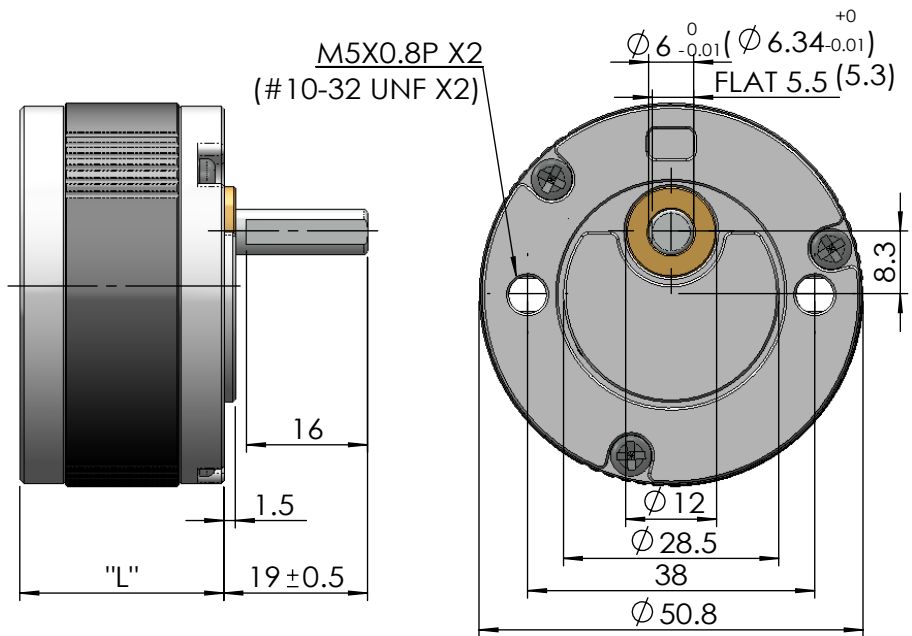


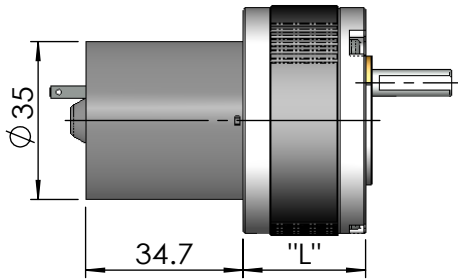
Spur Gearhead GBN50

2014-09

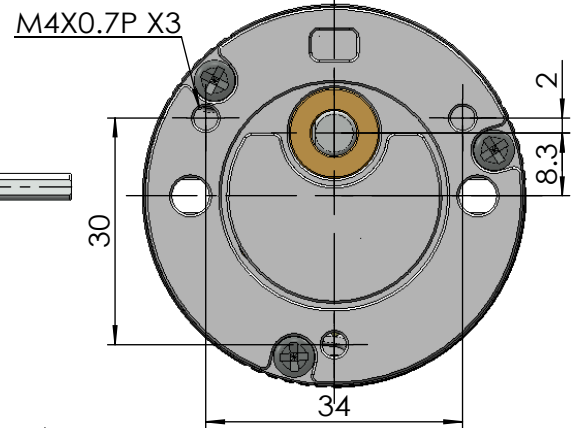
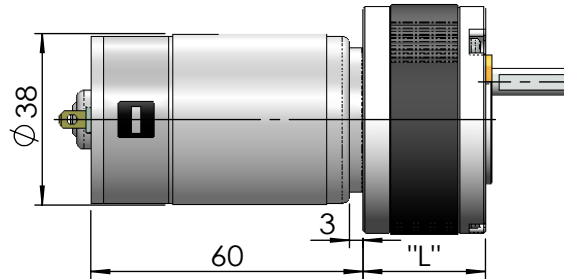
Stages	2	3	4	5	6	7
Ratio A	6	18	54	162	486	1458
Ratio B	8	24	72	216	648	1944
Ratio C	10	30	90	270	810	2430
Ratio D	12	36	108	324	972	2916
Dim. "L"	27		34.5		42	
Eff. %	81	73	65	60	53	48
Cont. Torque kg-cm	5	8	18	24	30	30
Peak Torque kg-cm	15	20	54	60	60	60



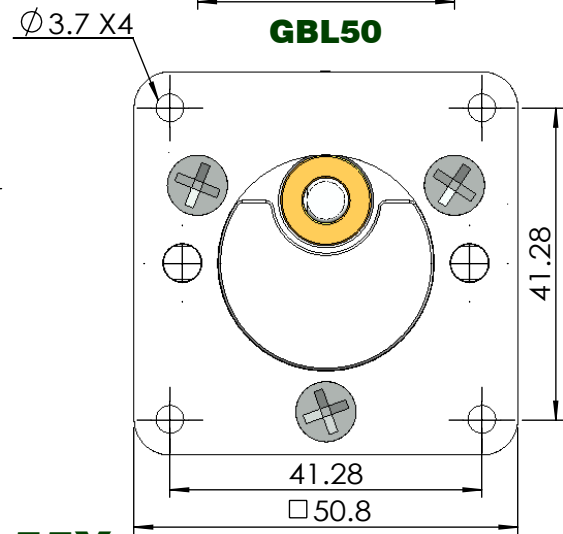
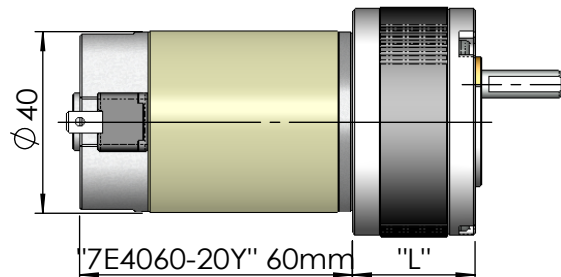
Gear motor GBN50-15YC



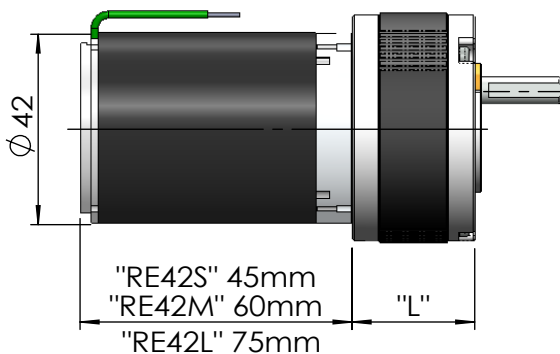
Gear motor GBN50-26Y



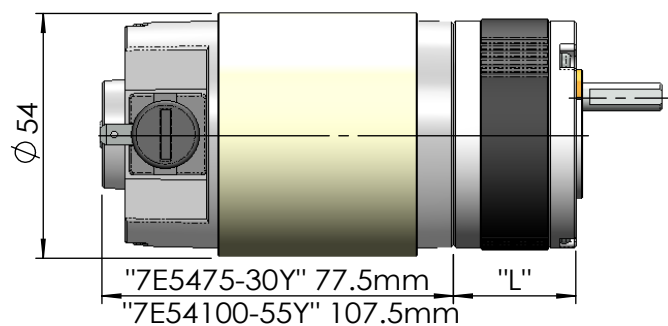
Gear motor GBN50-20Y&28Y&48Y



Gear motor GBN50-RE42 Brushless



Gear motor GBN50-30&55Y



GBF50