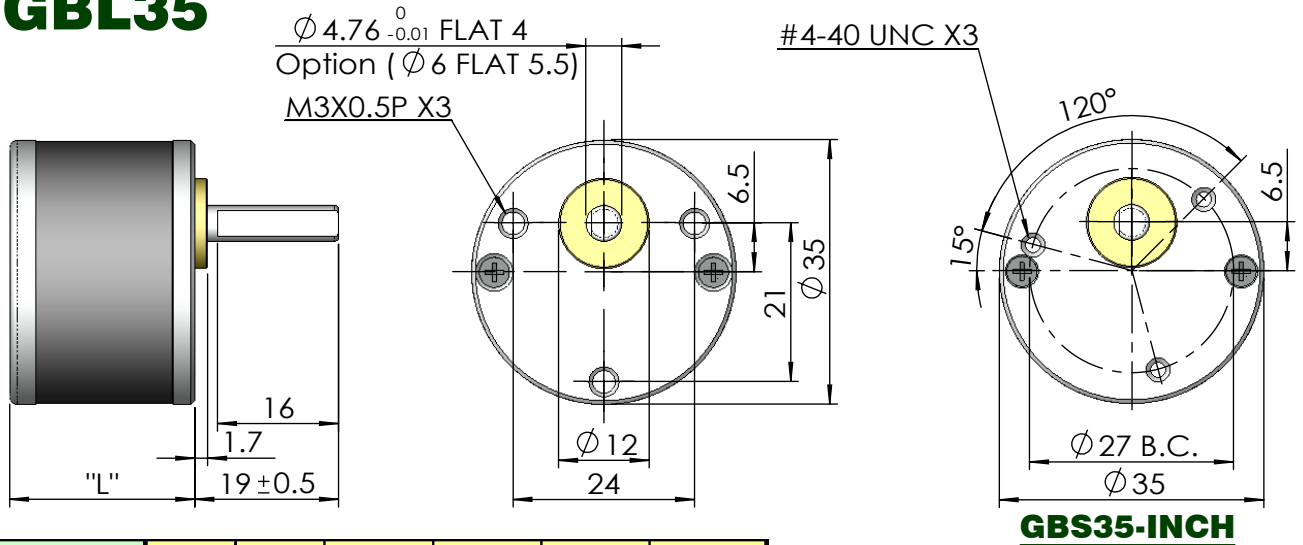


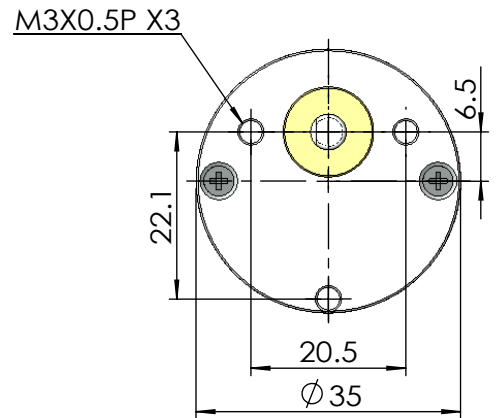
Spur Gearhead

GBL35



GBS35-INCH

| Type | A | B | C | D | E | F | |
|-------------------------|-----|------|------|------|------|------|------|
| Stages | 2 | 3 | 4 | 5 | 6 | 7 | |
| Ratio | H | 6.36 | 19.7 | 61.2 | 190 | 588 | 1822 |
| | G | 10 | 31.2 | 96.7 | 300 | 930 | 2880 |
| Dim."L" | H | 24.5 | | 27.5 | 30.5 | 33.5 | |
| | G | 24.5 | 27.5 | 30.5 | 33.5 | 36.5 | |
| Eff.% | 81 | 73 | 65 | 60 | 53 | 48 | |
| Max. Cont. Torque kg-cm | 0.5 | 1.3 | 3.5 | 4.7 | 5.5 | 6 | |
| Max. Peak Torque kg-cm | 1.5 | 4 | 10.5 | 14 | 16.5 | 18 | |



GBM35

2014-09

Gear motor

GBL35-18Y

