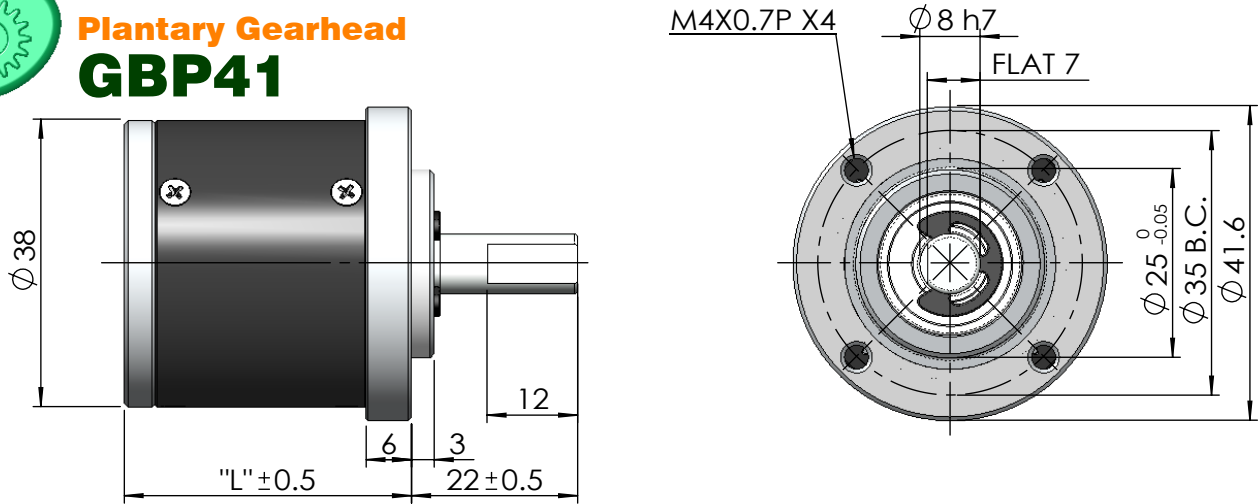


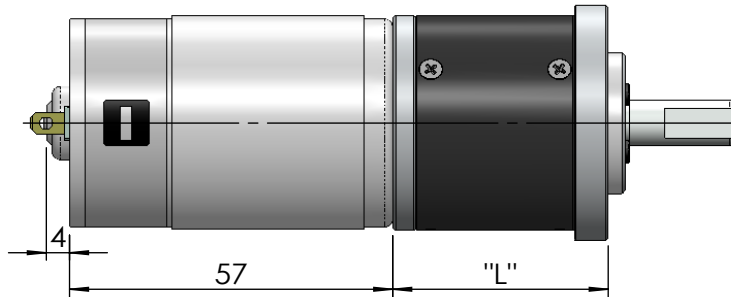
**Planetary Gearhead**  
**GBP41**



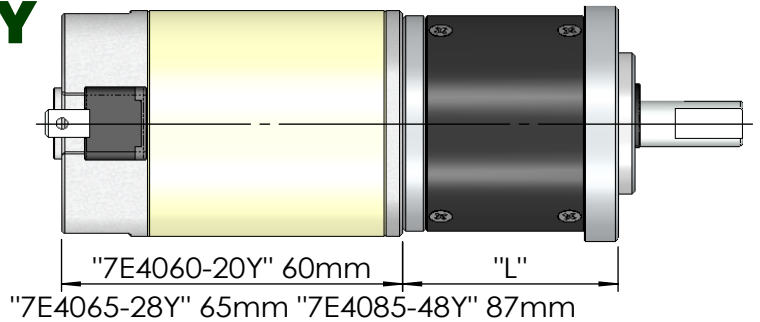
Type	A	B	C	D	E	F	G	H	I	J	K	L	M	N
Ratio	4	6	16	24	36	64	96	144	216	256	384	576	864	1296
Step	1		2			3			4					
Dim. "L"	30		38			46.5			55					
Eff %	90		81			73			65					
Cont. Torque	10 kg-cm		30 kg-cm			60 kg-cm			60 kg-cm					
Peak Torque	30 kg-cm		90 kg-cm			180 kg-cm			180 kg-cm					

2014-09

**Gear motor**  
**GBP41-26Y**



**Gear motor**  
**GBP41-20Y&28Y&48Y**



**Gear motor**  
**GBP41-RE42 Brushless**

