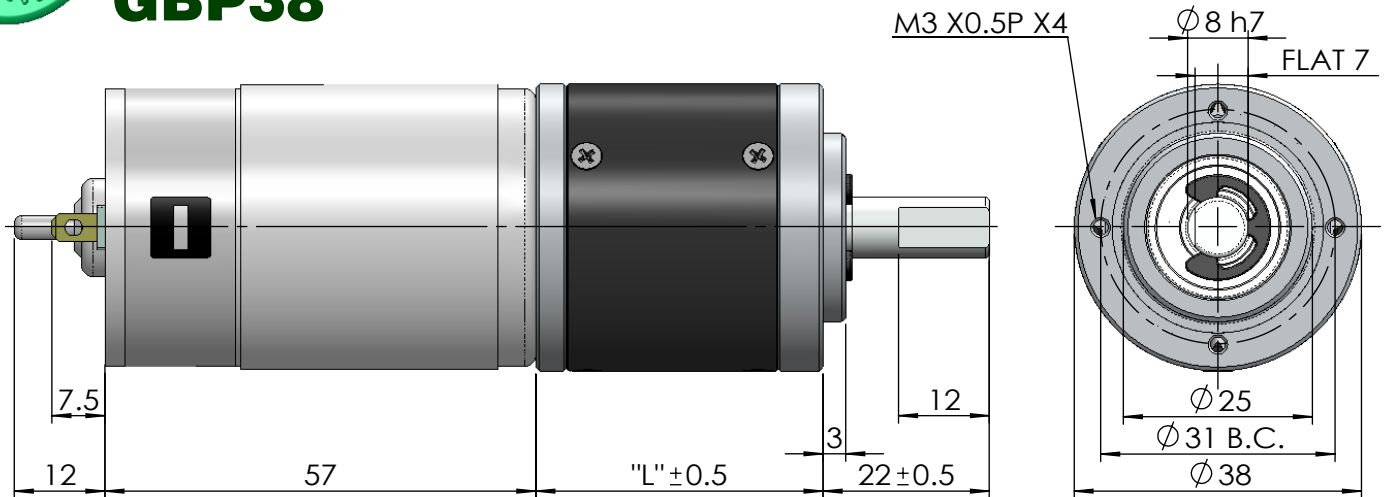


Planetary Gear Motor GBP38



Type	A	B	C	D	E	F	G	H	I	J	K	L	M	N
Ratio	4	6	16	24	36	64	96	144	216	256	384	576	864	1296
Step	1		2			3				4				
Dim. "L"	30		38			46.5				55				
Eff %	90		81			73				65				
Cont. Torque	10 kg-cm		30 kg-cm			60 kg-cm				60 kg-cm				
Peak Torque	30 kg-cm		90 kg-cm			180 kg-cm				180 kg-cm				

2014-09

Motor Specification

5E3860-26Y

ITEM	PARAMETER	SYMBOLS	UNITS	VALUE		TOLERANCE
1	Voltage	Vr	V D.C.	12	24	—
2	No load speed	No	R.P.M.	6500	6500	±15%
3	No load current	Io	mA	270	135	+30%
4	Rated speed at max. efficiency	Nr	R.P.M.	5601	5558	—
5	Rated current at max. efficiency	Ir	mA	1686	840	—
6	Rated torque at max. efficiency	Tr	Gr-Cm	256	261	—
7	Rated power at max. efficiency	Pr	W	14.7	14.9	—
8	Efficiency	η	%	72.80	73.86	Reference
9	Stall torque	Ts	Gr-Cm	1850	1800	±15%
10	Stall current	Is	mA	10500	5000	Reference
11	Peak output power	Pmax	Watts	30.9	30.0	—