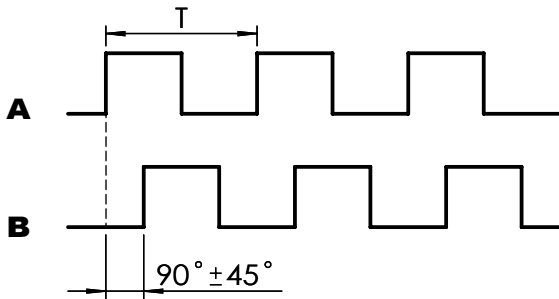


# Encoder EM3415

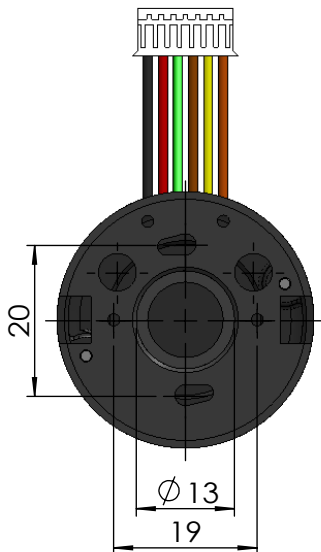
Resolution	1	2	3	4	5	7	10	12	16
Power Source	5V (Option 6V~24V)								
Current Consumption	≤ 40mA								
Output Signal	A OR A.B.								
Phase Difference	90°±45°								
Response Frequency	15 kHz								
Operation Temperature	-10°C~80°C								
Sensor Mode	Magnetic								
Output Form	Voltage								

2014-09

## Output Wave Form



1	Black	Motor -
2	Red	Motor +
3	Green	Ground
4	Brown	Channel B
5	Yellow	Channel A
6	Orange	Vcc 5V



Connector  
JST PHR-6

