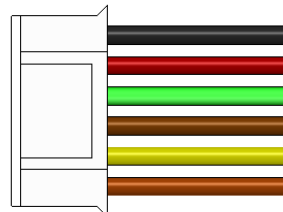
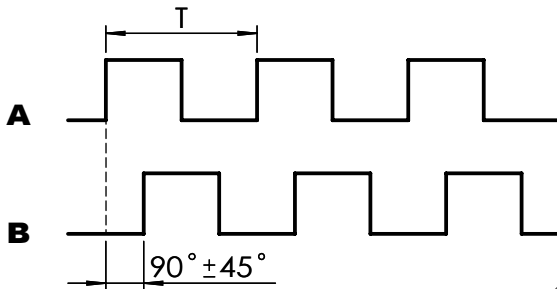


Encoder EM3012

Resolution	1	2	3	4	5	7	10	12	16
Power Source	5V~24V								
Current Consumption	$\leq 40\text{mA}$								
Output Signal	A OR A.B.								
Phase Difference	$90^\circ \pm 45^\circ$								
Response Frequency	15 kHz								
Operation Temperature	$-10^\circ\text{C} \sim 80^\circ\text{C}$								
Sensor Mode	Magnetic								
Output Form	Open Collector								

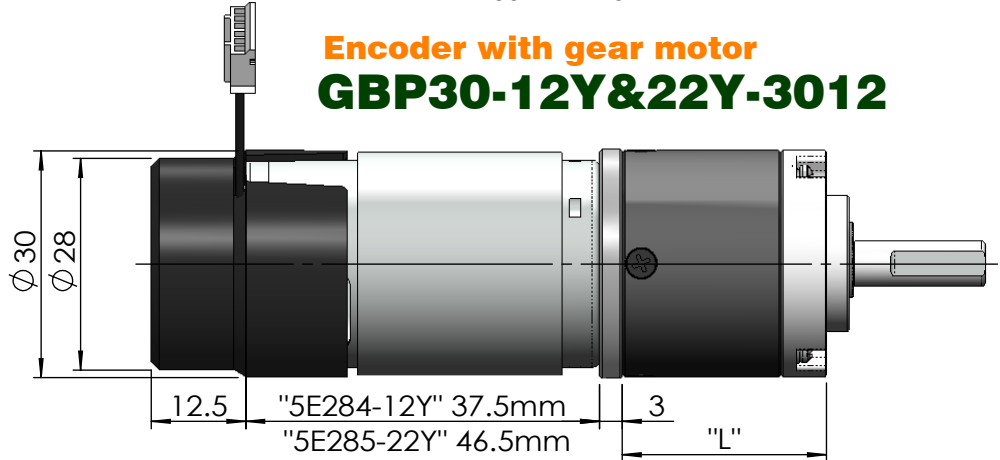
Output Wave Form

2014-09



1	Black	Motor -
2	Red	Motor +
3	Green	Ground
4	Brown	Channel B
5	Yellow	Channel A
6	Orange	Vcc 5V

Encoder with gear motor GBP30-12Y&22Y-3012



Encoder with gear motor GBM37-12Y&22Y-3012

