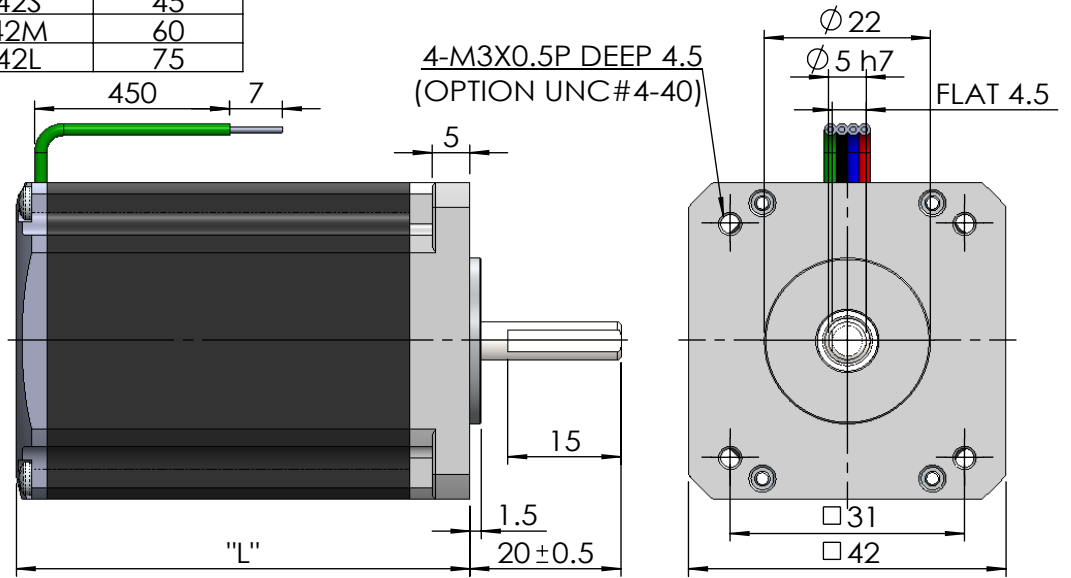
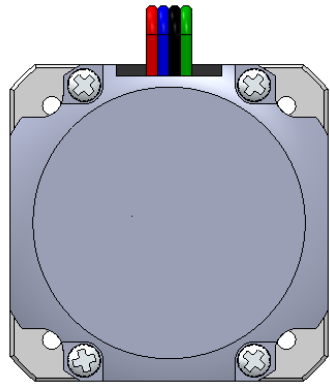




Brushless
SE42

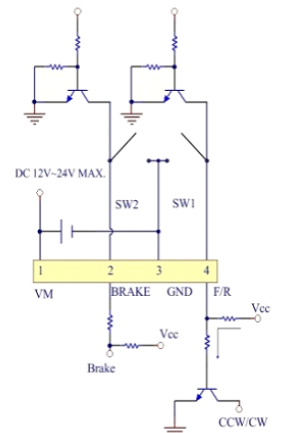
Model	"L"
42S	45
42M	60
42L	75



ITEM	PARAMETER	SYMBOLS	UNITS	SE42S	SE42M	SE42L
1	Voltage	Vr	V D.C.	24	24	24
2	No load speed	No	R.P.M.	5300	5200	4800
3	No load current	Io	mA	130	140	250
4	Rated speed at max. efficiency	Nr	R.P.M.	4423	4619	4172
5	Rated current at max. efficiency	Ir	mA	754	1186	1723
6	Rated torque at max. efficiency	Tr	Gr-Cm	273	447	720
7	Rated power at max. efficiency	Pr	W	12.4	21.2	30.8
8	Efficiency	η	%	68.6	74.5	74.6
9	Stall torque	Ts	Gr-Cm	1650	4000	5500
10	Stall current	Is	mA	3900	9500	11500
11	Peak output power	Pmax	Watts	22.5	53.4	67.8
12	Terminal resistance	Rt	Ohms	6.15	2.53	2.09

E Series Integrated Easy Use Driver

Item	Pin No.	Color of Wire	Symbol	Input or Output	Function	Standard Condition
I/O	1	Red	VM	Input	Power supply positive for drive (Enable)	DC12V~24V MAX. (voltage speed control)
	2	Blue	Brake	Input	Brake operates	Connect to GND
	3	Black	GND	-	Power supply GND	
	4	Green	F/R	Input	H: CCW L: CW	H: GND open L: connect to GND



Note: The wire connection on positive and GND is not reversible, otherwise it will cause the motor damaged.

4 LINES