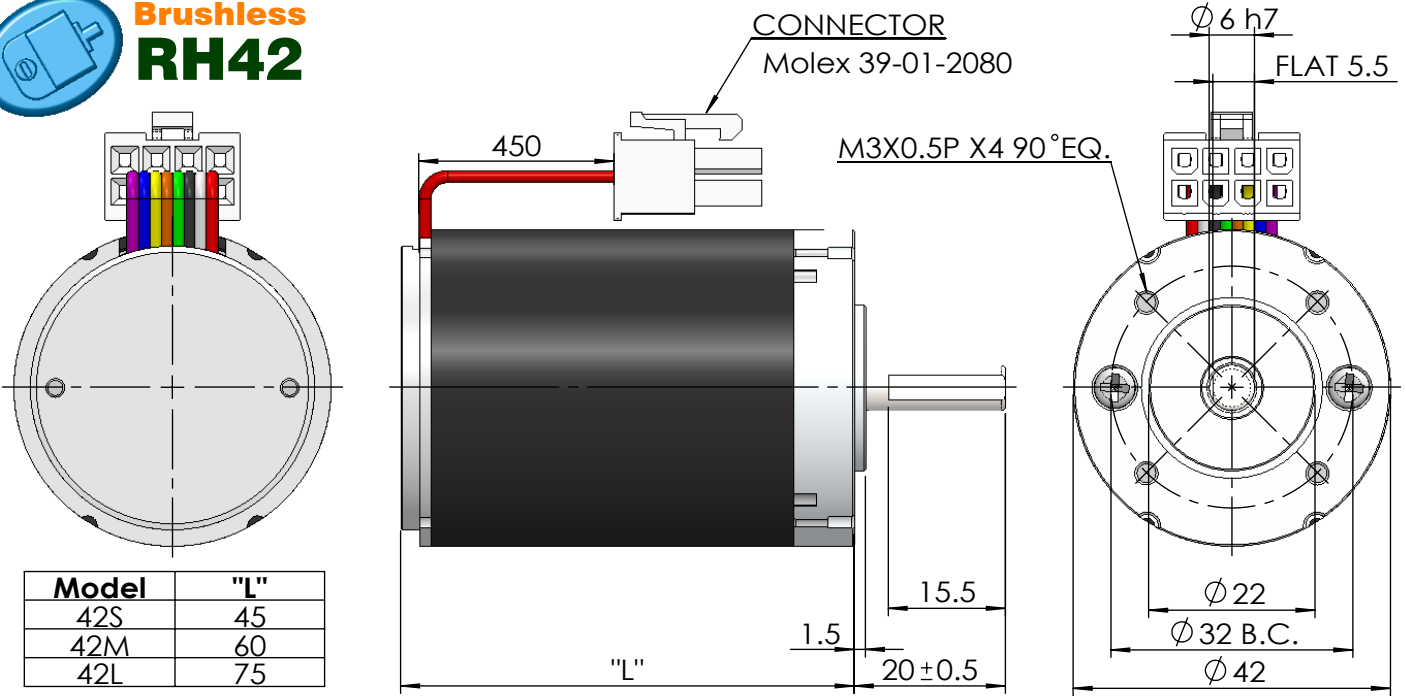




Brushless RH42



| ITEM | PARAMETER | SYMBOLS | UNITS | RH42S | RH42M | RH42L |
|------|----------------------------------|---------|--------|-------|-------|-------|
| 1 | Voltage | Vr | V D.C. | 24 | 24 | 24 |
| 2 | No load speed | No | R.P.M. | 5300 | 5200 | 4800 |
| 3 | No load current | Io | mA | 130 | 140 | 250 |
| 4 | Rated speed at max. efficiency | Nr | R.P.M. | 4423 | 4619 | 4172 |
| 5 | Rated current at max. efficiency | Ir | mA | 754 | 1186 | 1723 |
| 6 | Rated torque at max. efficiency | Tr | Gr-Cm | 273 | 447 | 720 |
| 7 | Rated power at max. efficiency | Pr | W | 12.4 | 21.2 | 30.8 |
| 8 | Efficiency | η | % | 68.6 | 74.5 | 74.6 |
| 9 | Stall torque | Ts | Gr-Cm | 1650 | 4000 | 5500 |
| 10 | Stall current | Is | mA | 3900 | 9500 | 11500 |
| 11 | Peak output power | Pmax | Watts | 22.5 | 53.4 | 67.8 |
| 12 | Terminal resistance | Rt | Ohms | 6.15 | 2.53 | 2.09 |

| CONNECTION | | |
|---------------|--------|---------|
| Signification | COLOR | PIN No. |
| U Phase | Red | 1 |
| V Phase | White | 2 |
| W Phase | Black | 3 |
| GND | Green | 4 |
| Vcc | Orange | 5 |
| Hall U | Yellow | 6 |
| Hall V | Blue | 7 |
| Hall W | Purple | 8 |

