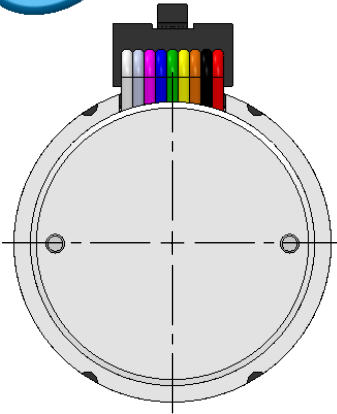
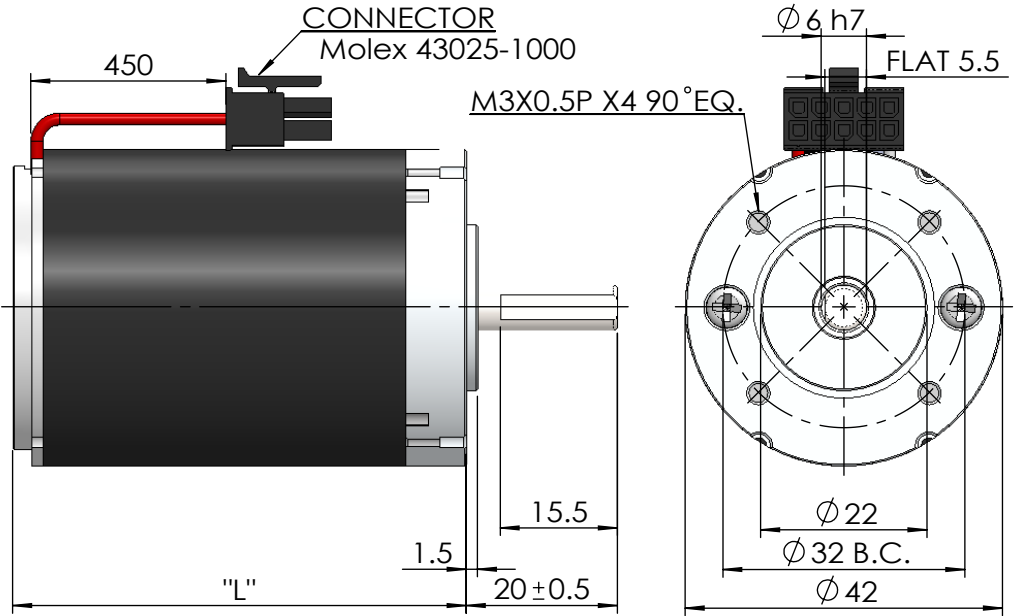




Brushless RF42



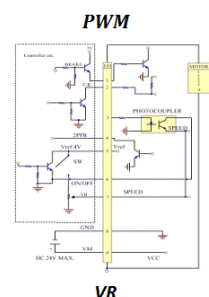
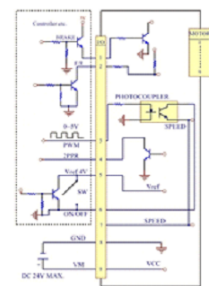
Model	"L"
42S	45
42M	60
42L	75



ITEM	PARAMETER	SYMBOLS	UNITS	RF42S	RF42M	RF42L
1	Voltage	V _r	V D.C.	24	24	24
2	No load speed	N ₀	R.P.M.	5300	5200	4800
3	No load current	I ₀	mA	130	140	250
4	Rated speed at max. efficiency	N _r	R.P.M.	4423	4619	4172
5	Rated current at max. efficiency	I _r	mA	754	1186	1723
6	Rated torque at max. efficiency	T _r	Gr-Cm	273	447	720
7	Rated power at max. efficiency	P _r	W	12.4	21.2	30.8
8	Efficiency	η	%	68.6	74.5	74.6
9	Stall torque	T _s	Gr-Cm	1650	4000	5500
10	Stall current	I _s	mA	3900	9500	11500
11	Peak output power	P _{max}	Watts	22.5	53.4	67.8
12	Terminal resistance	R _t	Ohms	6.15	2.53	2.09

F Series Integrated Full Function Driver

Item	Pin No.	Color of Wire	Symbol	Input or Output	Function	Standard Condition
I/O	1	White	Brake	Input	H: Brake operates L: Brake releases	H: ≥ 2.4V L: ≤ 0.4V
	2	Gray	F/R	Input	H: CCW L: CW	H: ≥ 2.4V L: ≤ 0.4V
	3	Purple	0~5V PWM	Input	Power Supply Positive for External Speed Setter	Power Supply Positive Pulse-width modulation
	4	Blue	2 PPR	Output	Make a full circle 2 Pulse	Open collector
	5	Green	VREF 4V	Output	Driver 4V Output	Provide for high signal
	6	Yellow	On/Off	Input	Motor rotates: 4V~5V Motor stops: ≤ 0.4V	A semiconductor element Or a switch gear On/Off
	7	Orange	VR	-	Power Supply Positive for External Speed Setter	Variable Resistor 5K~10K
Power Supply	8	Black	GND	-	Power Supply GND	DC12~24V MAX.
	9	Red	VM	Input	Power Supply Positive for drive	



Note: To select one of the PWM (Pin 3) or the VR (Pin 7) for speed control and connect both simultaneously is not allowed.